

HAND SINKS
DH-26, DH-28
(With Splash & Low-Lead Faucet)

PROJECT#: _____

ITEM# _____

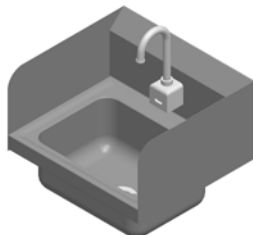
MODEL# _____



DH-26L



DH-26R



DH-26D



DH-28L



DH-28R



DH-28D

Low Cost Solutions for Back Room Operations:

- ◆ Supermarkets
- ◆ Convenience Stores
- ◆ Hospitals
- ◆ Factories

Features:

- ◆ Constructed from Heavy Gauge Type 304 Series Stainless Steel
- ◆ Available through the Amtekco Quick Ship Program
- ◆ All Sinks are N.S.F. Listed
- ◆ Multiple Designs for Multiple Applications

Mechanical Specifications:

- ◆ Meets “Low Lead” or “Lead-Free” Faucet Specifications
- ◆ Sink Bowl is 13-3/4” x 10” x 5-1/2”
- ◆ Crumb Cup Drain 1-1/2” NPS
- ◆ Faucets 1/2” NPS

MODEL#	SPLASH LOCATION	SHIPPING WEIGHT
DH-26L	LEFT	15 lbs.
DH-26R	RIGHT	15 lbs.
DH-26D	LEFT & RIGHT	17 lbs.
DH-28L	LEFT	30 lbs.
DH-28R	RIGHT	30 lbs.
DH-28D	LEFT & RIGHT	31 lbs.

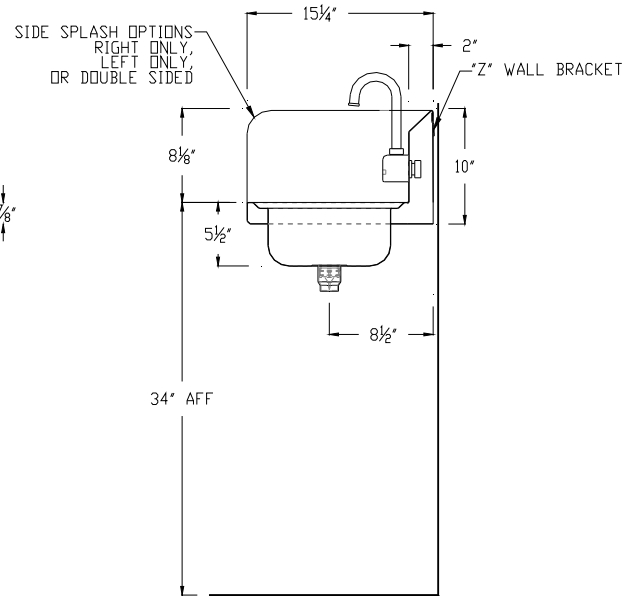
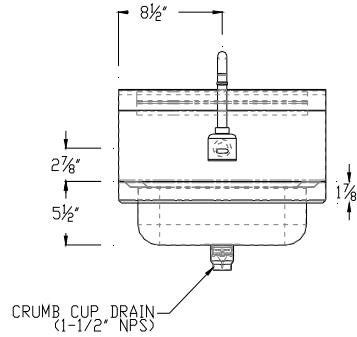
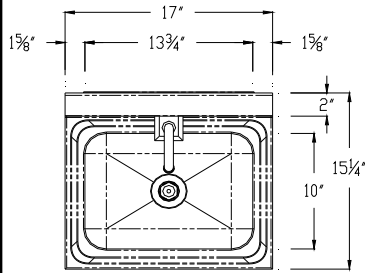
All Models Can Be Shipped U.P.S.

Amtekco offers a full line of standard hand washing sinks to satisfy every requirement and the most rigorous local sanitation requirements. These superior products feature type 304 stainless steel throughout for long life, ease in cleaning and low maintenance. Rugged, heavy gauge, die stamped and welded construction provides for rigid wall mounting for years of trouble free use. All faucets are N.S.F. listed.

Models are in stock for immediate shipments



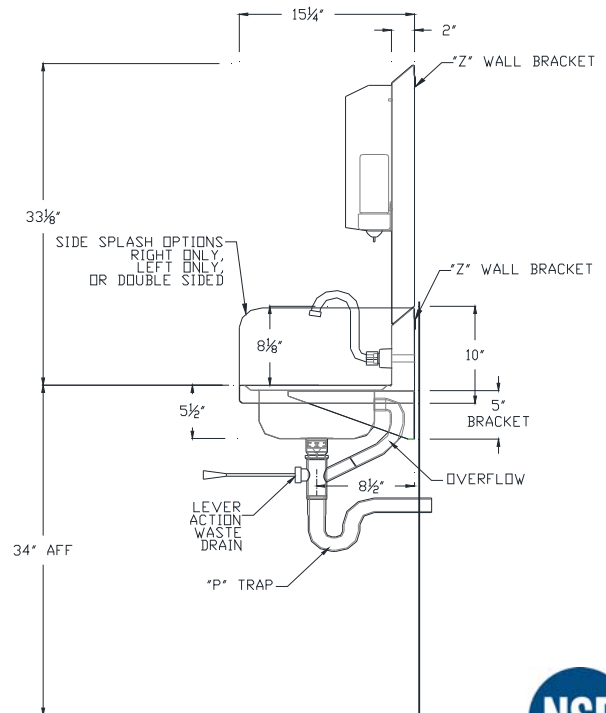
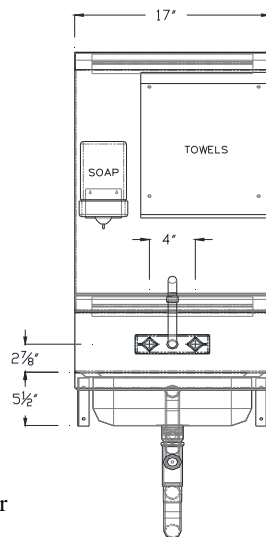
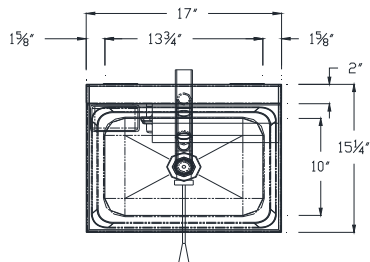
HAND SINKS DH-26, DH-28 (With Splash & Low-Lead Faucet)



Accessories:

- ◆ Low Lead Faucet—#KE19-1000-SDO w/ Gooseneck Spout (1/2" NPS)
- ◆ Crumb Cup Drain (1-1/2" NPS)
- ◆ Wall Mounting Bracket

DH-26L, DH-26R, DH-26D



Accessories:

- ◆ Low-Lead Faucet—#KHS15-4000 w/ Gooseneck Spout (1/2" NPS)
- ◆ B-155 Soap Dispenser
- ◆ Towel Dispenser
- ◆ Lever Action Drain w/ Crumb Cup & Rear Overflow (1-1/2" NPS)
- ◆ "P" Trap Assembly
- ◆ S/S Cantilevered Brackets
- ◆ Wall Mounting Bracket

DH-28L, DH-28R, DH-28D

